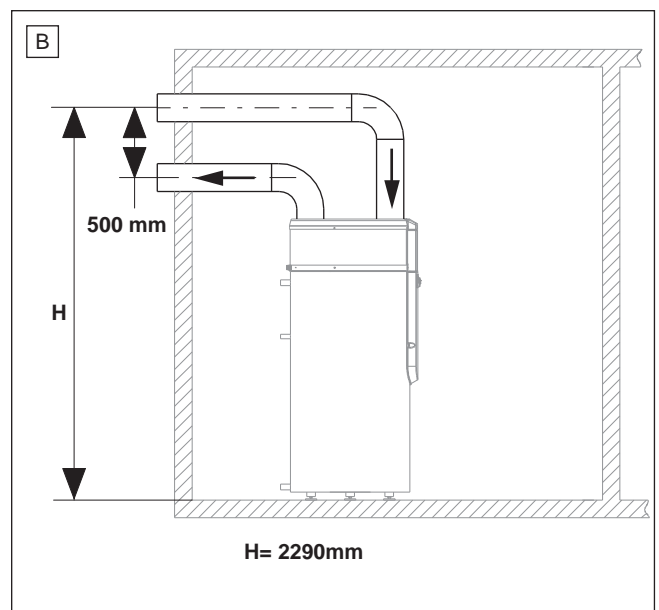
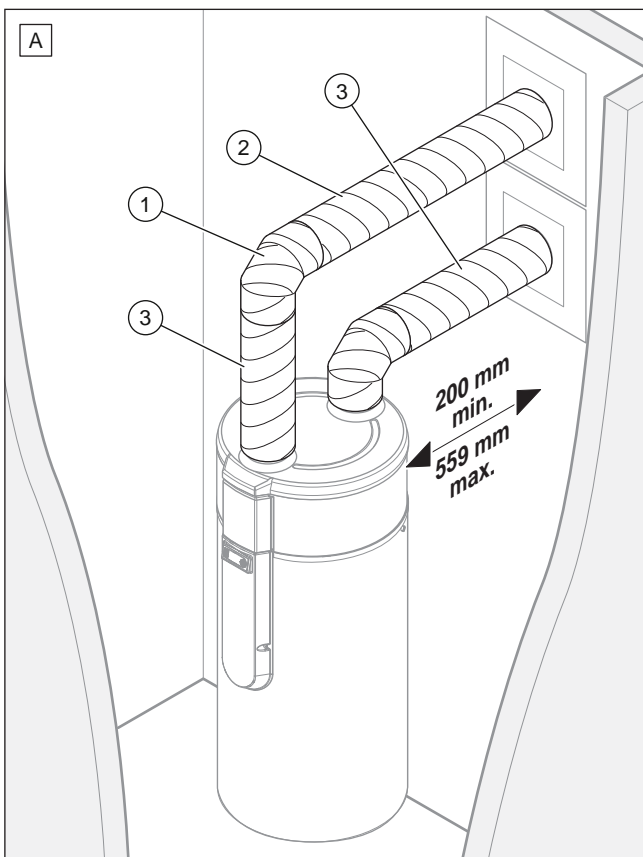
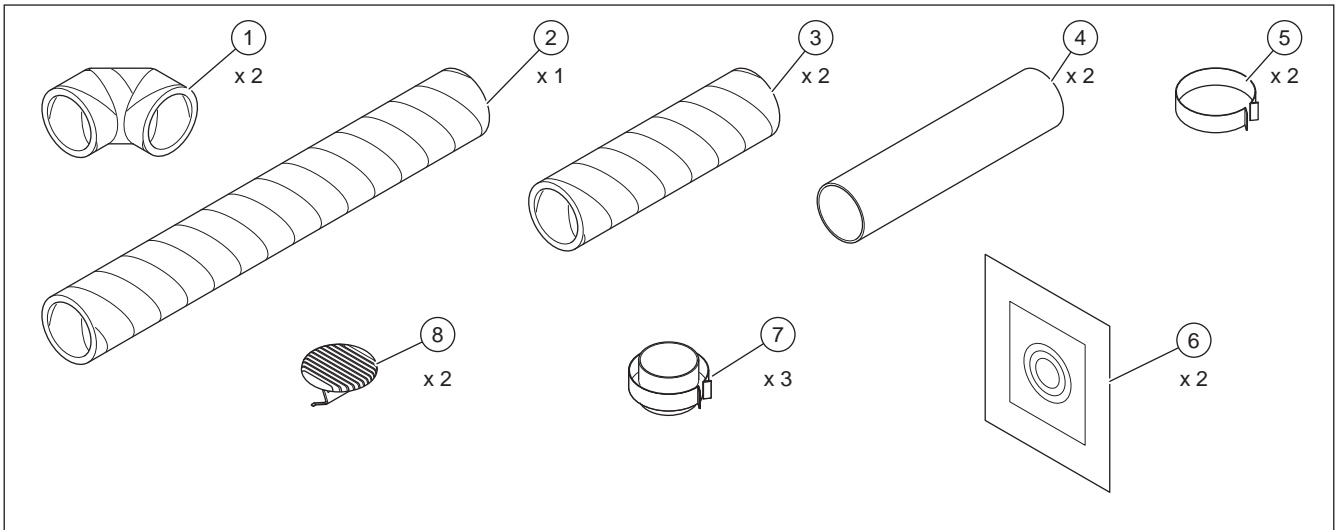
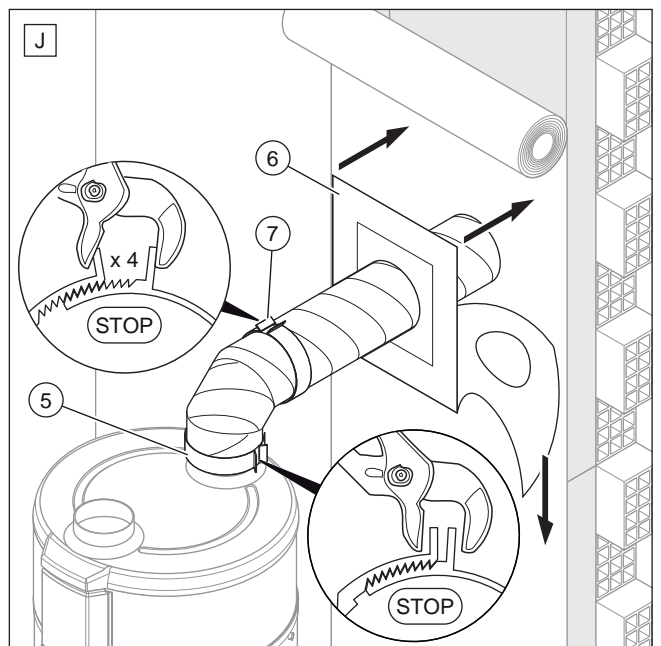
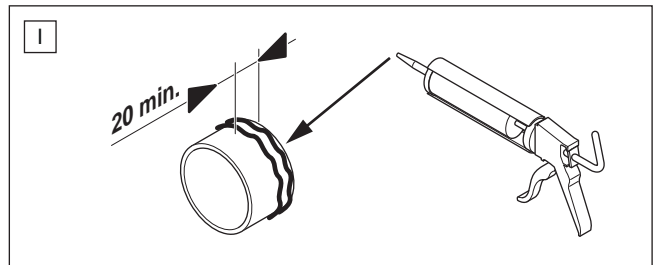
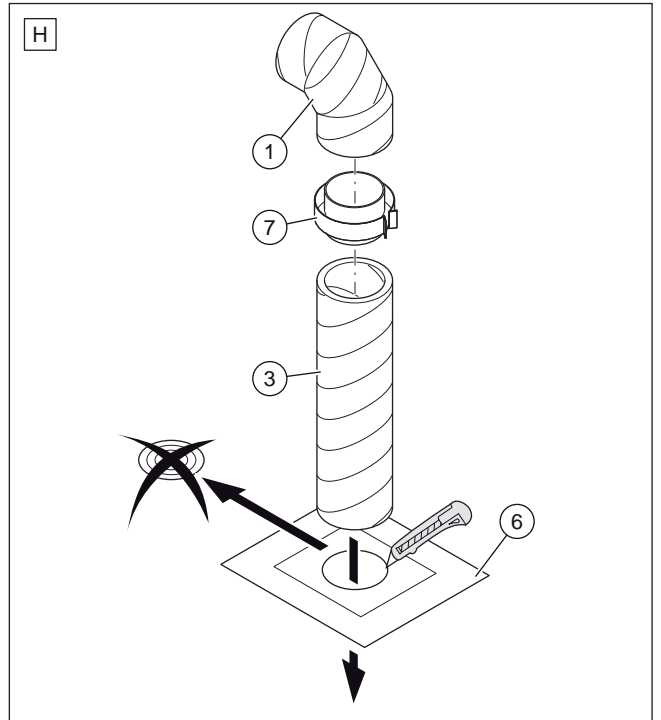
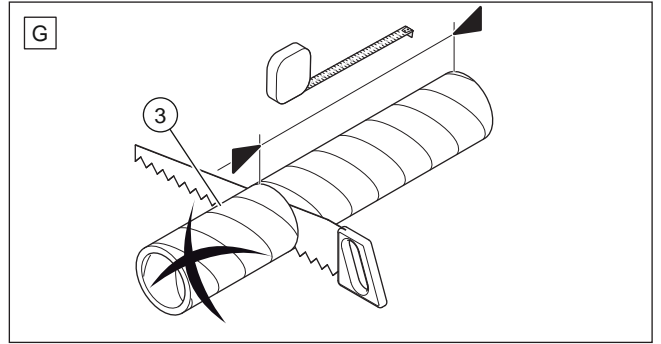
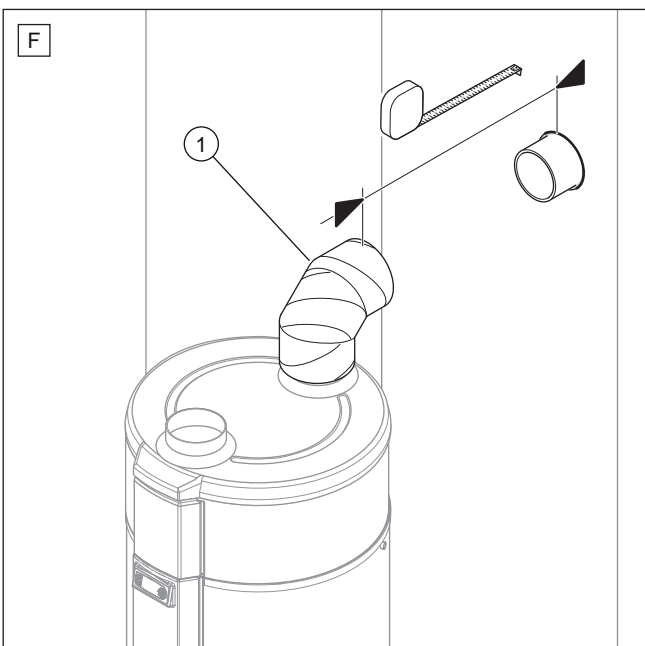
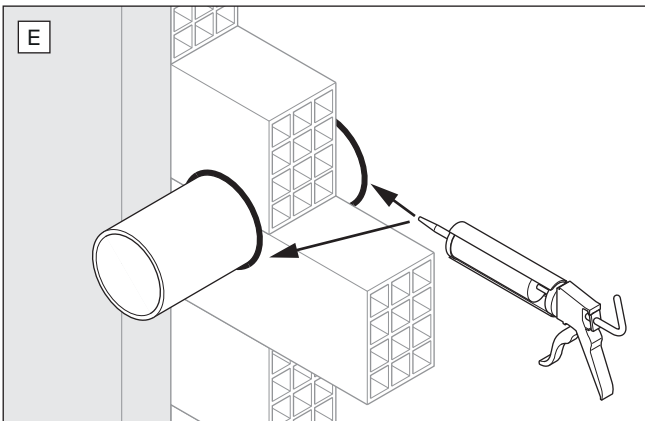
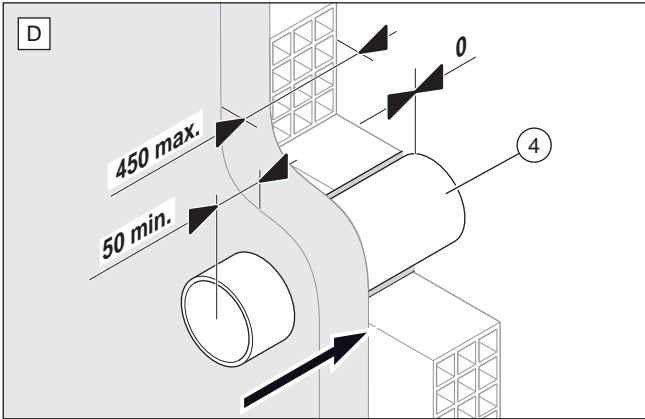
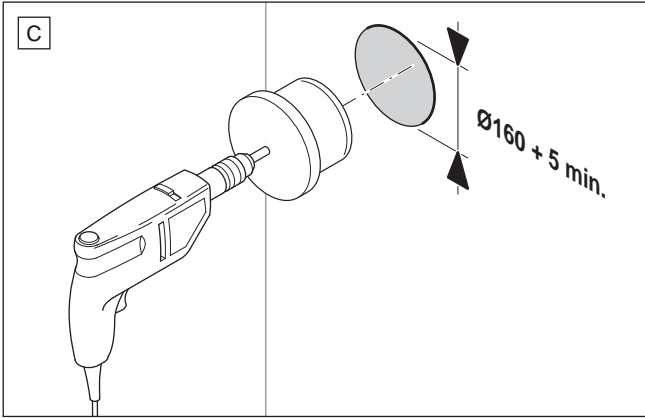
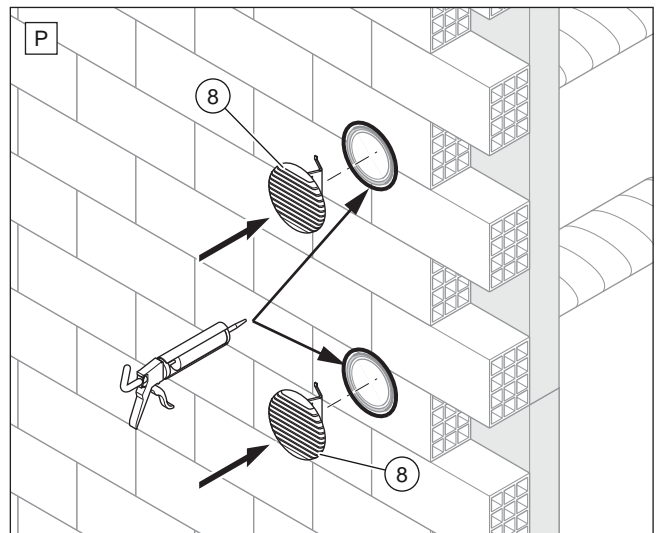
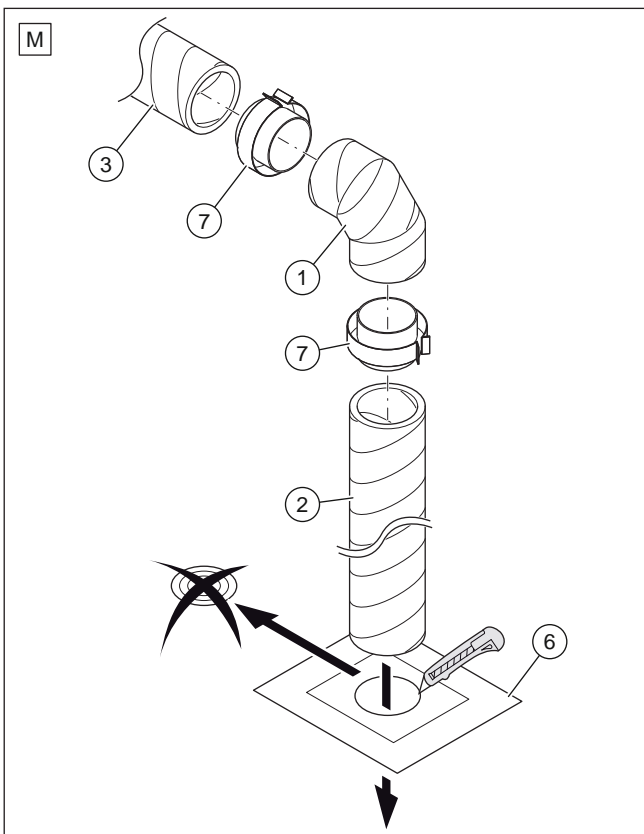
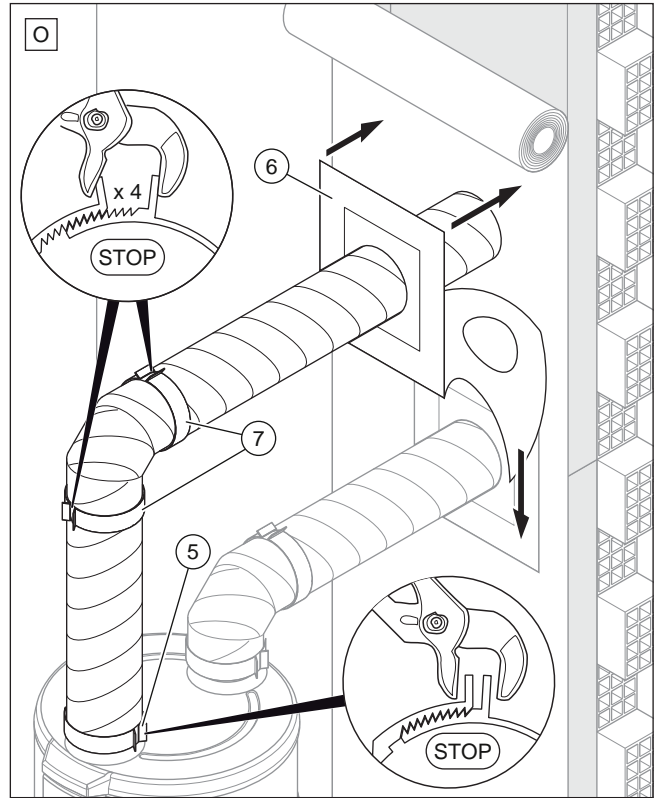
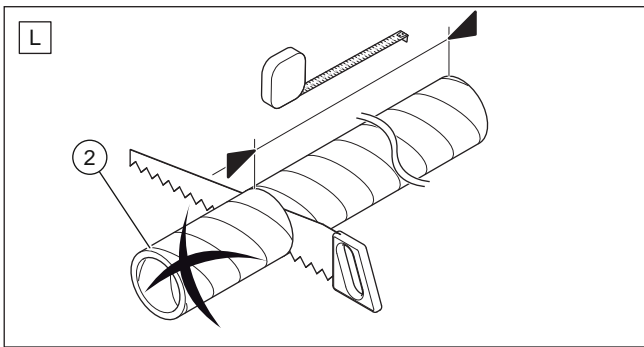
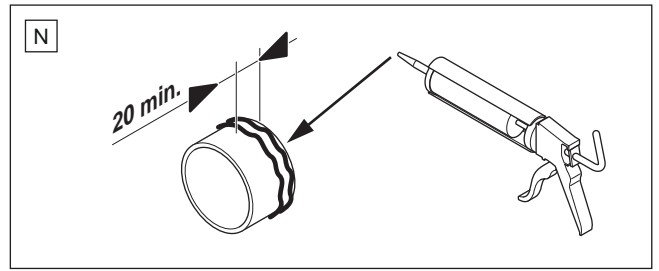
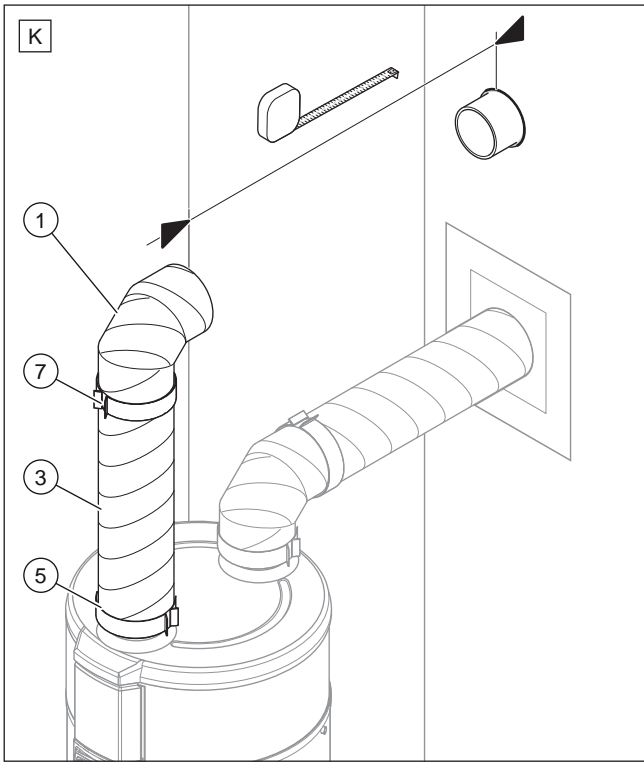


0020205775







0020205777_00 ■ 06/01/2015

Manufacturer

Vaillant GmbH

Berghauser Str.40 ■ D-42859 Remscheid
Telefon 021 91 18-0 ■ Telefax 021 91 18-28 10
info@vaillant.de ■ www.vaillant.de

© These instructions, or parts thereof, are protected by copyright and may be reproduced or distributed only with the manufacturer's written consent.